

Project		Catalog #		Type	
Prepared by		Notes		Date	



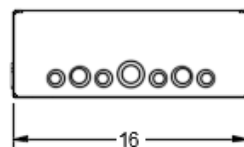
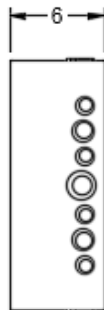
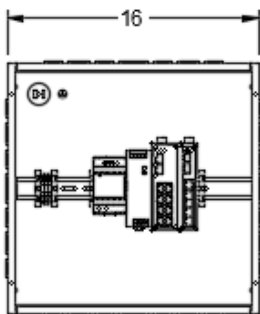
0-10V Somfy RTS Interface

P/N: PNL-GTWY-010V-SMFYRST-120V-NEMA1

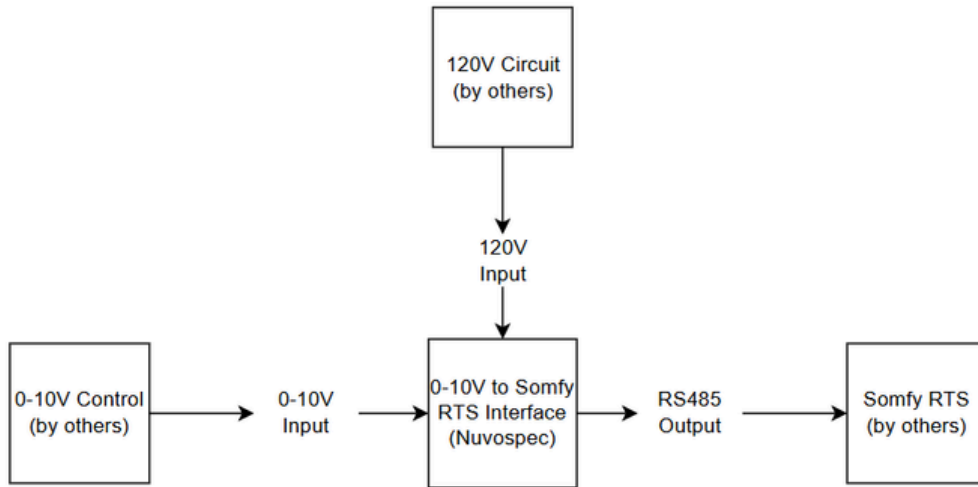
Product Features

- Universal Integration – Converts any 0-10V control signal into three Somfy RTS shade commands (Raise / Lower / Stop). Two 0-10V inputs can be mapped to motor groups 1 and 2. Typical application is dual motor shades.
- Multi-Shade Support – Supports individual or group shade control for Somfy RTS motors.
- Plug & Play – Ships pre-programmed for immediate operation; field-configurable presets allow for customized shade positions.
- Line-Voltage Powered – Accepts 120VAC power hardwired to internal terminal blocks.
- Compact Enclosure – Pre-assembled in a contractor-friendly housing with pre-labeled terminal blocks for quick install.
- Compatible with Energy Codes – Enables integration of shading with lighting controls for IECC/ASHRAE daylighting compliance.
- UL Listed product meeting UL Industrial Panel requirements.

Dimensional Details



System Diagram



Wiring Instructions

- The interface requires a constant 120V power source. Do not put this device on a switch leg or on the output side of a dimmer.
- Connect the 120V supply to the three terminal blocks on the left side of the enclosure. The terminal blocks are labeled to indicate the connection points for the line, neutral, and ground connections.
- The terminal block on the right side of the enclosure is provided for I/O connections to the 0-10V control source and the SOMFY RTS interface. Make connections as follows:
 - Terminal 5: 0-10V + signal from control source provided by others
 - Terminal 6: 0-10V - signal from control source provided by others
 - Terminal 7: RS485 Data + signal to Somfy RTS interface
 - Terminal 8: RS485 Data - signal to Somfy RTS interface
 - Terminal 9: RS485 Shield/Ground to Somfy RTS interface
 - Terminals 1-4: Internal use only, no external connections

